

# PRODUCT SPECIFICATION

## STANDARD FEATURES

**Dimensions:** Height - 9" (229 mm)  
 Width - 10" (254 mm)  
 Depth - 16.5" (419 mm)  
 Weight - 15.5 lbs. (7 kg)  
 Shipping Weight - 22 lbs.  
 (10 kg)

**Printhead:** 2.2" ( 56 mm/448 dots)  
 203 dots/inch (8.0 dots/mm)

**Display:** 2 Line LCD, 16 Char. per line

**Keypad:** 21 Keys

**PC/Host Interface:** Asynchronous RS-232C  
 XON/XOFF, CTS or DTR flow control  
 1200, 2400, 4800, 9600, 19200 Baud  
 ASCII Data transmission code

**Buffers Available (256K total):** Transmit, Receive, Formats, Images, Internal, and Downloadable Fonts (All buffers except Internal are user definable.)

**Character Sets Available:**

- ◆ Monarch Internal
- ◆ ANSI
- ◆ DOS Code Page 437
- ◆ DOS Code Page 850

**Fonts Available:** Standard, Reduced, Bold, OCRA-like, CG Triumvirate, CG Triumvirate Bold

**Font Magnification:** 1x to 7x

**Print Ratio:** 30% black maximum per square inch

**Foreign Languages:** French, German, Spanish

### Standard Bar Code Symbolologies:

This printer also prints high-density bar codes and bar codes in the serial direction.

Barcode Type	Narrow to Wide Ratio	%Density or CPI	Narrow Element (dots/mils)	Data Length
UPCA +2/+5	1:1.0	76%, 114%	2/9.9, 3/14.8	11 or 12, 14/17
UPCE +2/+5	1:1.0	76%, 114%	2/9.9, 3/14.8	6 or 7, 9/12
EAN8 +2/+5	1:1.0	76%, 114%	2/9.9, 3/14.8	7 or 8, 10/13
EAN13 +2/+5	1:1.0	76%, 114%	2/9.9, 3/14.8	12 or 13, 15/18
Interleaved 2 of 5	1:30	1.1, 3.2, 5.6, 7.5, 11.0, 11.2	21/103.4, 7/34.5, 4/19.7, 3/14.8, 2/9.9, 2/9.9	0 to 2710
	1:2.5	2.1, 4.2, 6.3, 12.7	12/59.1, 6/ 29.6, 4/19.7, 2/9.9	
	1:2.3	8.8	3/14.8	
	1:2.0	9.6, 14.5	3/14.8, 2/9.9	
Extended Code 39	1:30	4.2, 6.3 , 12.7*	3/14.8, 2/9.9, 1/4.9	0 to 2710
	1:2.5	1.4, 1.7, 3.5, 7.0	10/49.3, 8/39.4, 4/19.7, 2/9.9	
	1:2.2	3.0	5/24.6	
	1:2.0	3.9	4/19.7	
Codabar (NW7)	1:3.0	2.1, 8.4	8/39.4, 2/9.9	0 to 2710
	1:2.5	3.0, 4.6, 9.2	6/29.6, 4/19.7, 2/9.9	
	1:2.0	5.1, 10.1	4/19.7, 2/9.9	
Code 128	1:1.0	3.7/7.4, 4.6/9.2, 6.1/12.3, 9.2/18.4	5/24.6, 4/19.7, 3/14.8, 2/9.9	0 to 2710
Code 93	N/A	3.7	6/29.6	0 to 2710
		4.5	5/24.6	
		5.6	4/19.7	
		7.5	3/14.8	
		11.2	2/9.9	
MSI	1:2.5	7.2	2/9.9	0 to 2710
	1:2.0	4.2, 5.6	4/19.7, 3/14.8	

\* Parallel only for special application.

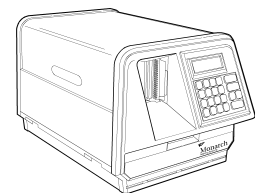
## Monarch 9403™ Printer

COMPACT TABLETOP PRINTER

THERMAL DIRECT OR TRANSFER

OPERATES ONLINE OR STAND-ALONE

PRODUCES 2" x 6" IMAGES



**Monarch®**  
**PAXAR**

**In our ongoing effort to deliver the best technology, specifications are subject to change without notice. A copy of the applicable written Monarch warranty statement is available upon request.**

Barcode Type	Aspect Ratio	Security Level	Element Width (dots/mils)	Row Height (dots/mils)	Data Length
PDF417	1:1.0	0 - 8	2/9.8, 3/14.8, 4/19.7	2/9.8, 3/14.8, 4/19.7	0 to 2709
	1:2.0		2/9.8, 3/14.8, 4/19.7	4/19.7, 6/29.6, 8/39.4	
	1:3.0		2/9.8, 3/14.8, 4/19.7	6/29.6, 9/44.3, 12/59.1	

Barcode Type	Data Length	Density Selector	Element Width (dots/mils)	Tall Element (dots/mils)	Short Element (dots/mils)
Postnet	0, 5, 6, 9, 11	0 (fixed at 4.3 cpl)	4/19.7 (5 dot gap)	24/118.2	10/49.3
Maxicode	99	7	N/A	N/A	N/A

**SUPPLIES**

Only Monarch® supplies are recommended; use thermal transfer stock with ribbon or thermal direct stock. For high density and serial bar codes, Monarch "premium" supplies are recommended.

**Supply Sizes:** Widths - .75" to 2.2" (19 mm to 56 mm)  
Lengths - .75" to 6" (19 mm to 152 mm)

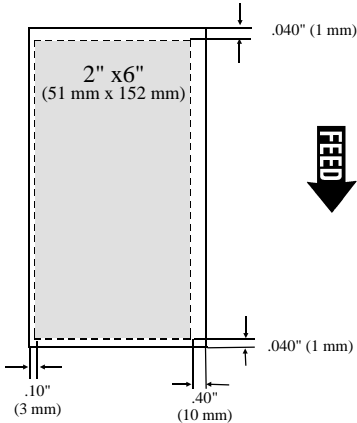
**Supply Thickness:** 6 to 12 mils

**Ribbon Widths:** 1.26" (32 mm), 1.56" (40 mm), 2.12" (54 mm), 2.25" (57 mm)

**ABOUT RIBBONS**

The width of the ribbon must be greater than the supply width. Since some supplies are more abrasive to printheads than others, using a ribbon wider than your supply helps protect the printhead.

**Maximum Print Area for Maximum Supply Size:**



**PERFORMANCE**

**Power:** U.S. - 115 V/60 Hz., 80 Watts nominal  
International - 220 V/50 Hz

**Printing Rate:** 2.0" (51 mm) per second

**Printer Warranty:** One (1) year parts and one (1) year labor

**Printhead Warranty:** 1 million inches or six months, whichever occurs first.

**ENVIRONMENT RANGES**

**Temperature:** Operating Thermal Transfer: 40° to 95° F (4° to 35° C)  
Operating Thermal Direct: 40° to 110° F (4° to 43° C)  
Storage: 15° to 120° F (-10° to 49° C)

**Humidity:** Operating and Storage: 5% to 90% non-condensing

**Electrostatic Discharge and Air Quality:**

Some problems with electronic equipment may occur in environments prone to static discharge or extreme dust conditions. Monarch suggests that you take precautions to minimize these problems.

Contact your Monarch representative for recommended precautions.